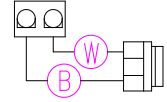
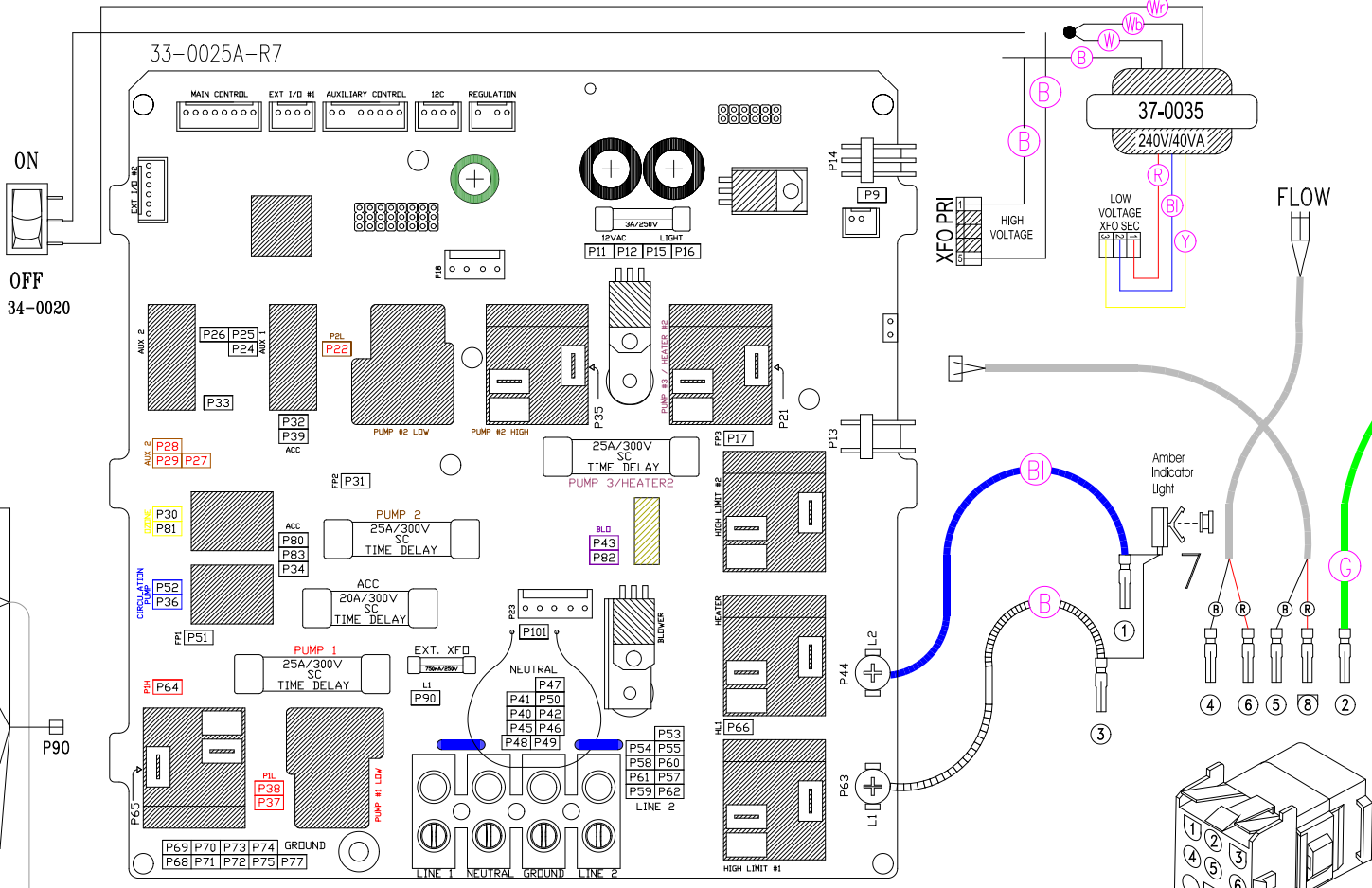


12V Light (White 2-Pin)

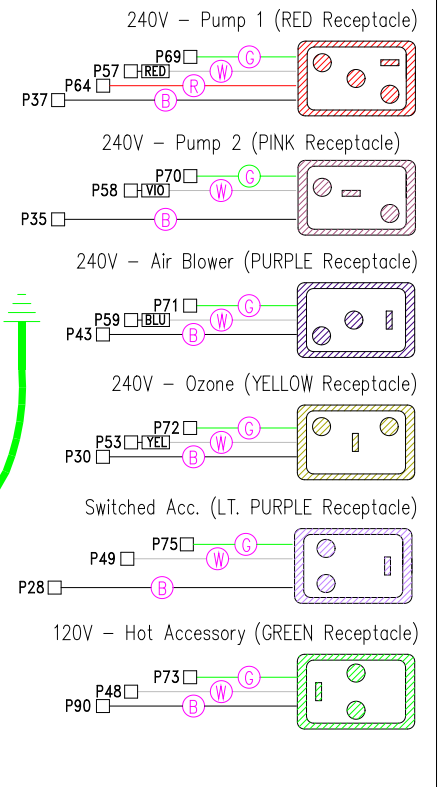


ON  
OFF  
34-0020

- SYSTEM FUSE**  
RED INDICATOR LIGHT
- HIGH-LIMIT**  
RED INDICATOR LIGHT
- PUMP 1 FUSE**  
RED INDICATOR LIGHT
- PUMP 2 FUSE**  
RED INDICATOR LIGHT
- AIR/CIRC/OZ FUSE**  
RED INDICATOR LIGHT



**USE COPPER CONDUCTOR ONLY**



LEGEND	
	- 1/4" QUICK CONNECT
	- 1/4" PIGGYBACK
	- FORK CONNECTOR
	- RING CONNECTOR
	- SOCKET CONNECTOR
	- PIN CONNECTOR

**HYDRO-QUIP**  
CORONA, CA (909) 273-7575

Manufacture Notes:

Dwg. No.

Drawn  
BH

Rev  
4

Date  
11.28.04

Diagram No.  
6712

Wire Color Code

- B - Black
- Br - Brown
- R - Red
- O - Orange
- Y - Yellow
- G - Green
- Bl - Blue
- V - Violet
- W - White
- Gr - Gray